

# Axrm1-7000

COM Express 1U system

## Features

- PCIe/PCI expansion slots
- PCIe 2slots, PCI 2slots
- Custom-made translator inside of case for user needed connector

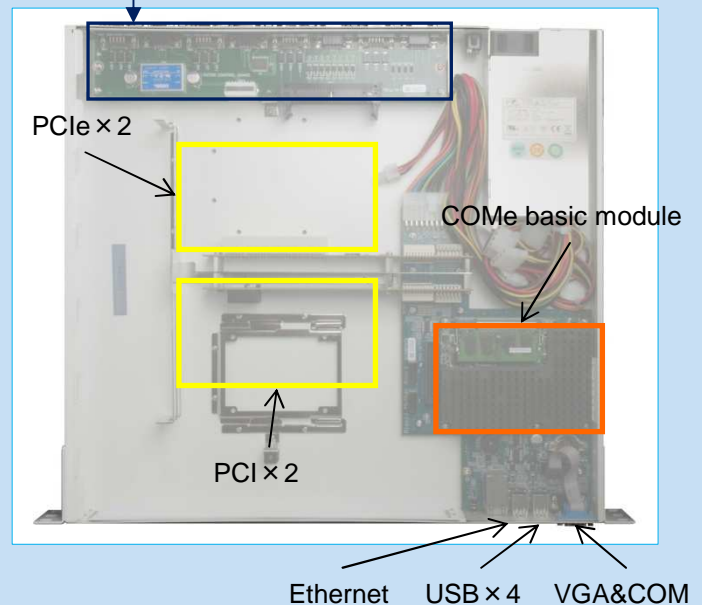


## Specifications

Case	482.6(W) × 43.65(H) × 400(D)
COM Express Base board	Basic Module Type2
PCI/PCIe expansion	PCIe:2slot(PCIe × 1-lane) PCI:2slot(PCI32, 33/66MHz, 3.3V)
Front panel connector	VGA:Analog RGB x1 Ethernet:GbE x1 USB:USB2.0 x4 Serial:RS232C x1
Other hardware specification	SATA PATA Disk drive: DOM module (SATA, 4GB)※there is a space for 2.5inch HDD Environment operation: 0~40°C storage: -20~70°C humidity: under 90%RH
OS	Windows, Linux(Debian)

### Custom-made translator

- Connector user needed
- Translator



## Axpcie3901

- High speed counter PCI Express card
- Convert Compact PCI Axpcie3901 to PCI Express
- 4ch 32bit counter
- 200MHz pulse input
- User can set PCIe expansion slot on BLANC4



\* CPCI Counter Board Axpcie3901



ENVIRONMENTAL MANAGEMENT SYSTEM ISO 14001



QUALITY ASSURED COMPANY



認 証 取 得

## ARKUS Inc.

JR Ohmoto NK 3F, 10-7 Ohmoto-Ekimaie Kita-ku, Okayama City 700-0923, JAPAN  
TEL +81-86-225-1080 FAX +81-86-225-1081  
HP: [www.arkus.co.jp](http://www.arkus.co.jp) E-mail: [info@arkus.co.jp](mailto:info@arkus.co.jp)